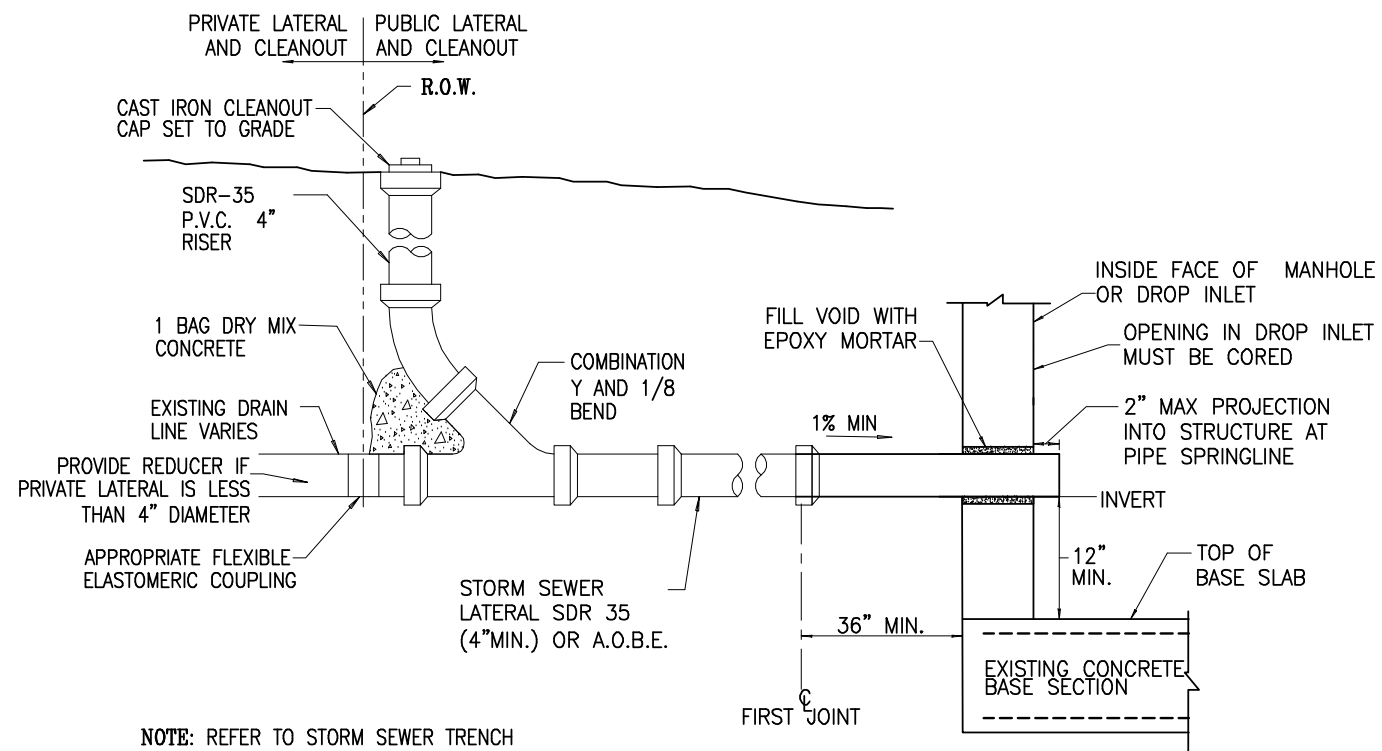


NOTE:
REFER TO STORM SEWER TRENCH IN GRASS AREA FOR PIPE INSTALLATION

DRAIN LINE CONNECTION ITEM

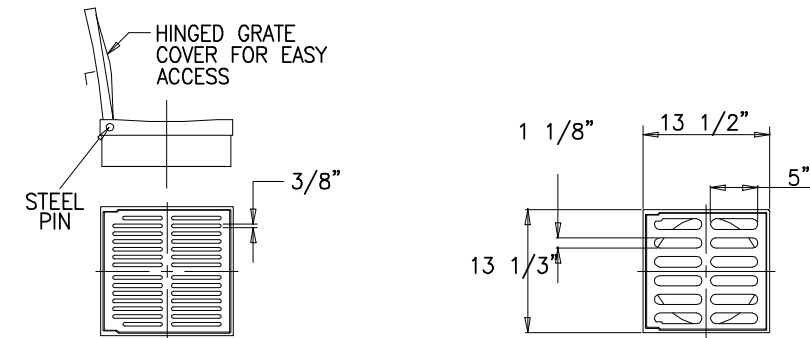
603.05000MO
NOT TO SCALE - REVISED: 06/12/23



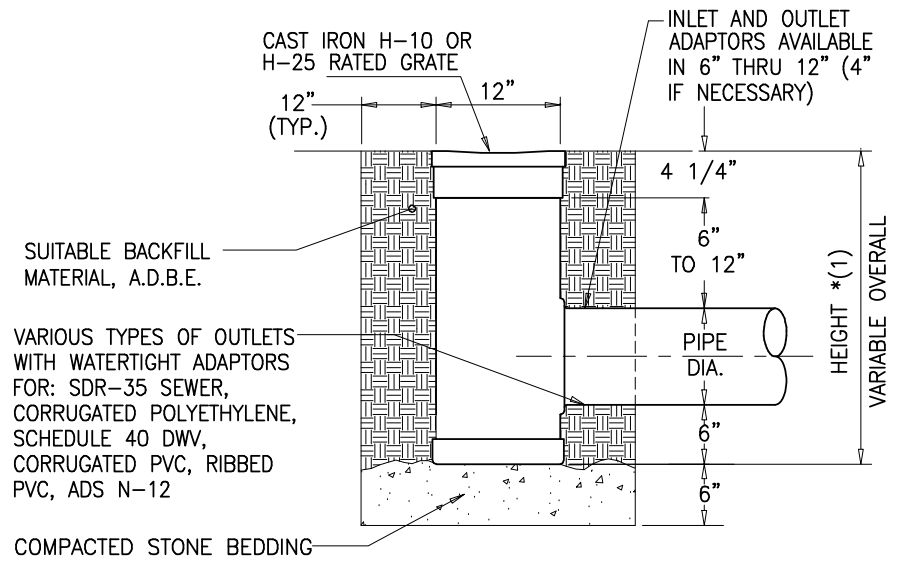
NOTE: REFER TO STORM SEWER TRENCH IN GRASS AREA FOR PIPE INSTALLATION

STORM SEWER LATERAL CONNECTION TO EXISTING DRAINAGE STRUCTURE

NOT TO SCALE - REVISED: 06/12/23



MATERIAL: CAST IRON
QUALITY: MATERIAL SHALL CONFORM TO ASTM A48 - CLASS 30B
PAINT : CASTINGS ARE FURNISHED WITH A BLACK PAINT



*(1) MAXIMUM RECOMMENDED OVERALL HEIGHT 10'

FIELD INLET-STAND PIPE 12"

ITEM 604.50XXYY
NOT TO SCALE - REVISED: 06/12/23

NO.	DATE	BY:

CONSULTANT [565] 867-5309 FAX: [565] 867-5309 Rochester, New York XXXX	PROJECT MANAGER: MANAGER
	DRAWN BY: DRAFTER

DEPARTMENT OF TRANSPORTATION
50 WEST MAIN STREET, SUITE 6100
ROCHESTER, NEW YORK 14614-1231
UNAUTHORIZED ALTERATION OR ADDITION TO THIS DRAWING
ARTICLE 145, SECTION 2207

COUNTY ROAD #
PROJECT NAME
PROJECT LIMITS
TOWN
CAPITAL PROJECT NO. XXXX-XX